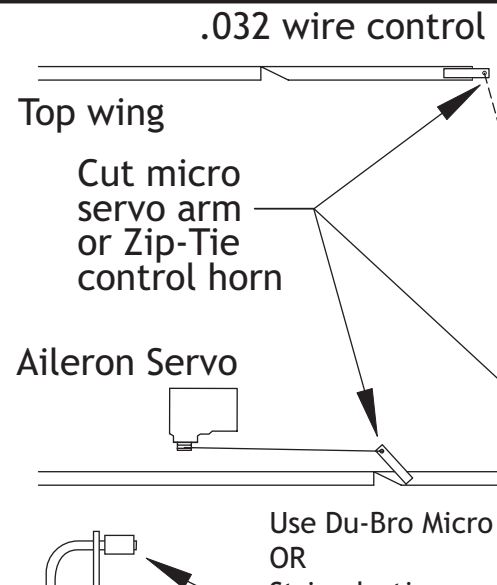


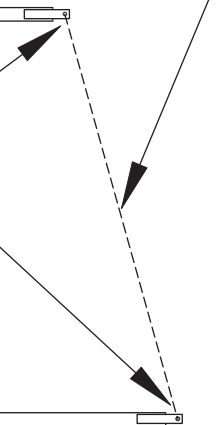
Control Horn Detail



Pitts S-

Detail

Control rods



Micro E/Z Links

Square wing tips for Ultimate Pitts



S-2C or Ultimate Pitts Park Flyer Designed by Steven



Wing cut from one piece of Depron foam

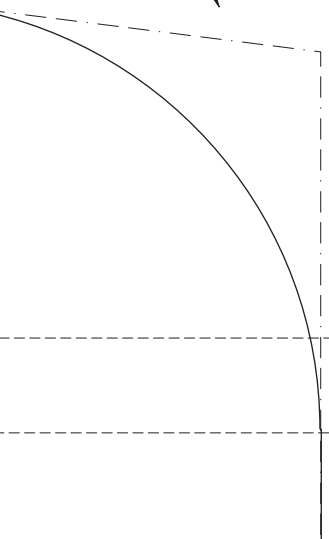
Cut 6mm slots for strut tabs.
Dry fit and trim excise.

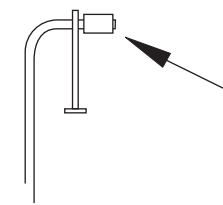
en Gibson

Square wing tips fo

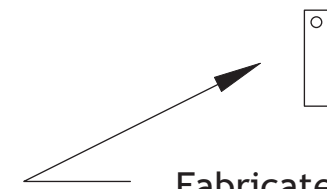


ops for Ultimate Pitts





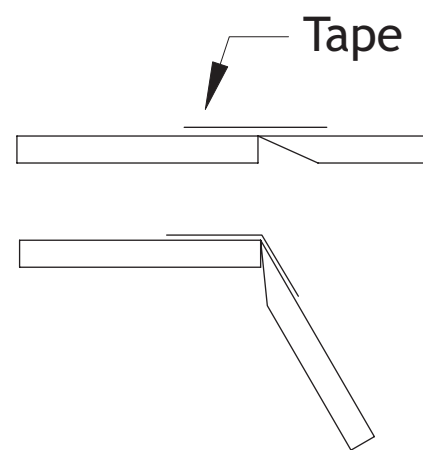
Use Du-Bro Micro
OR
Strip plastic cover
from small gauge
and CA to ends of
control rods



Fabricate control ho
from spare micro se
control arms or nylon
Zip-Ties.

Hinge Detail

Use 1" wide clear packing
tape for hinges. Clean all pa
rubbing alcohol before taping



Micro E/Z Links

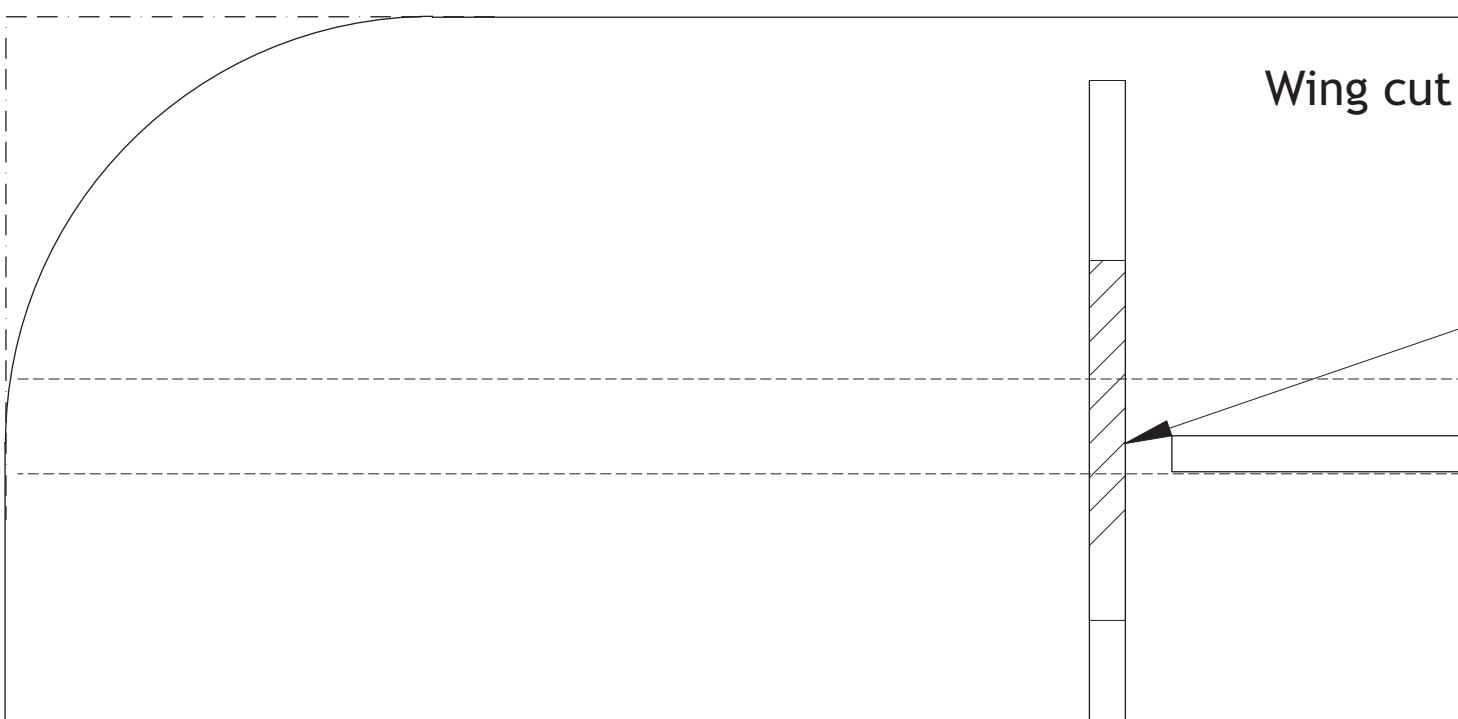
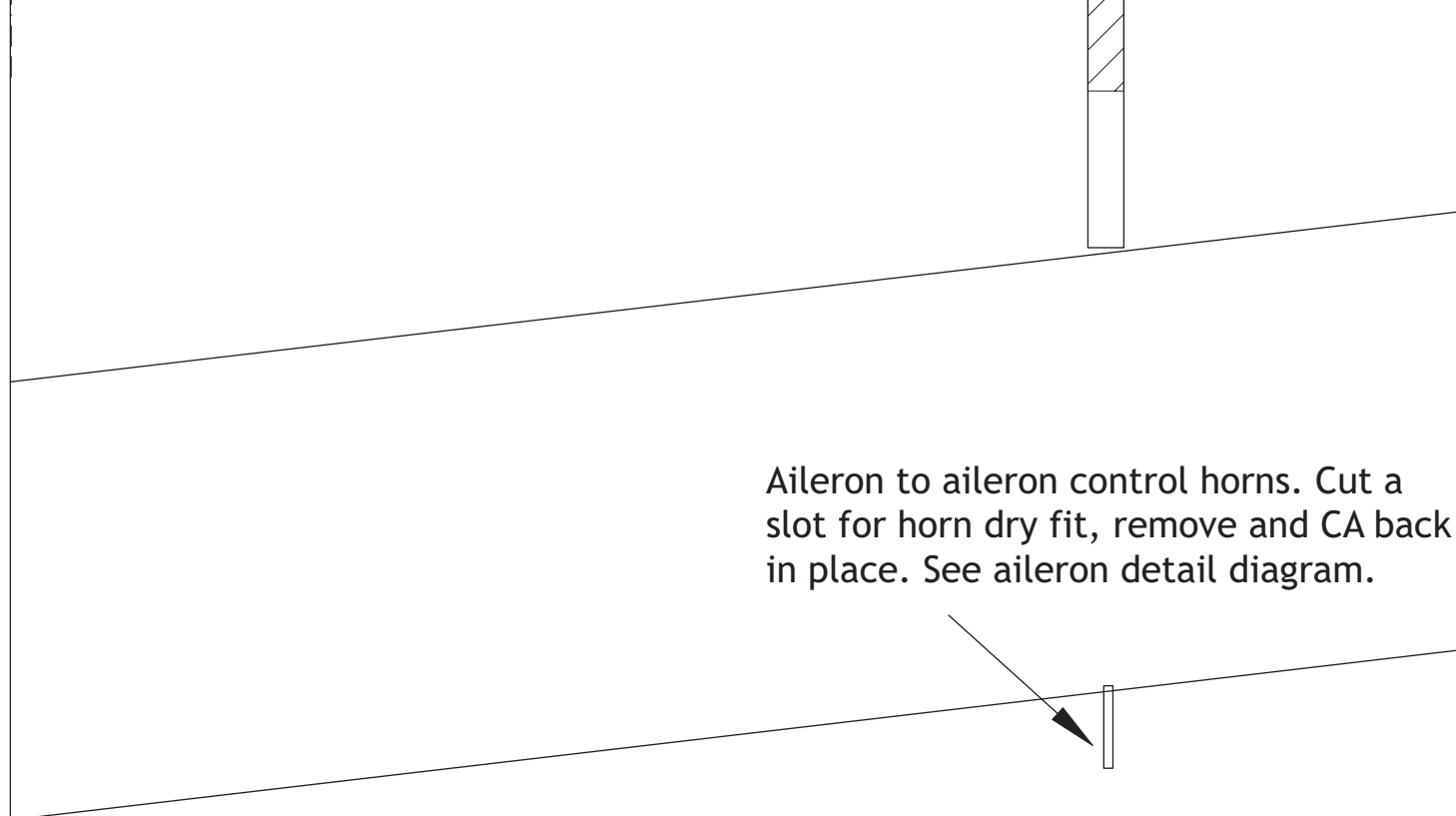
cover
gauge wire
ends of
s

control horns
servo
nylon

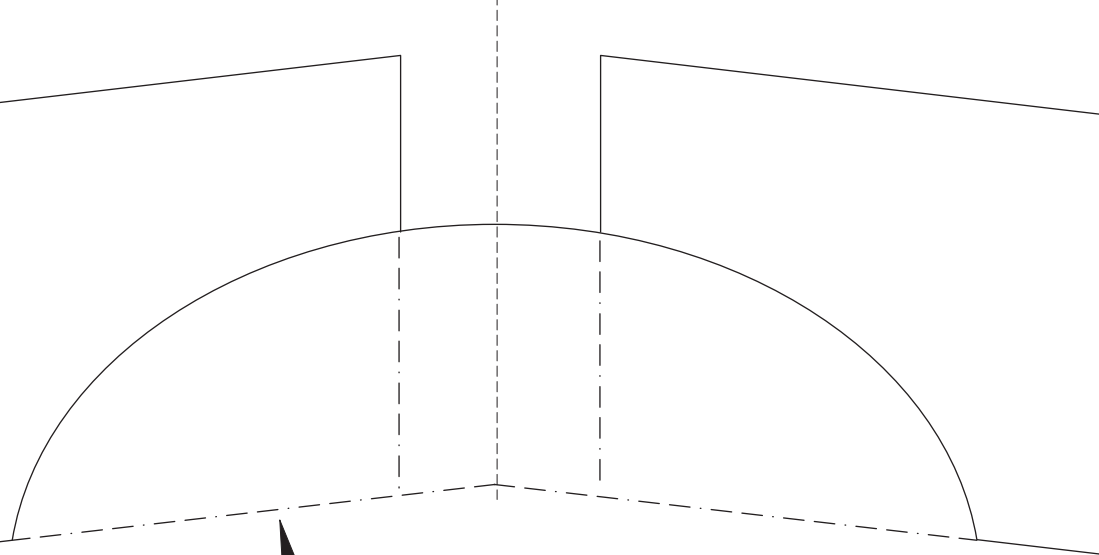
ail

ng
all parts with
taping.

pe



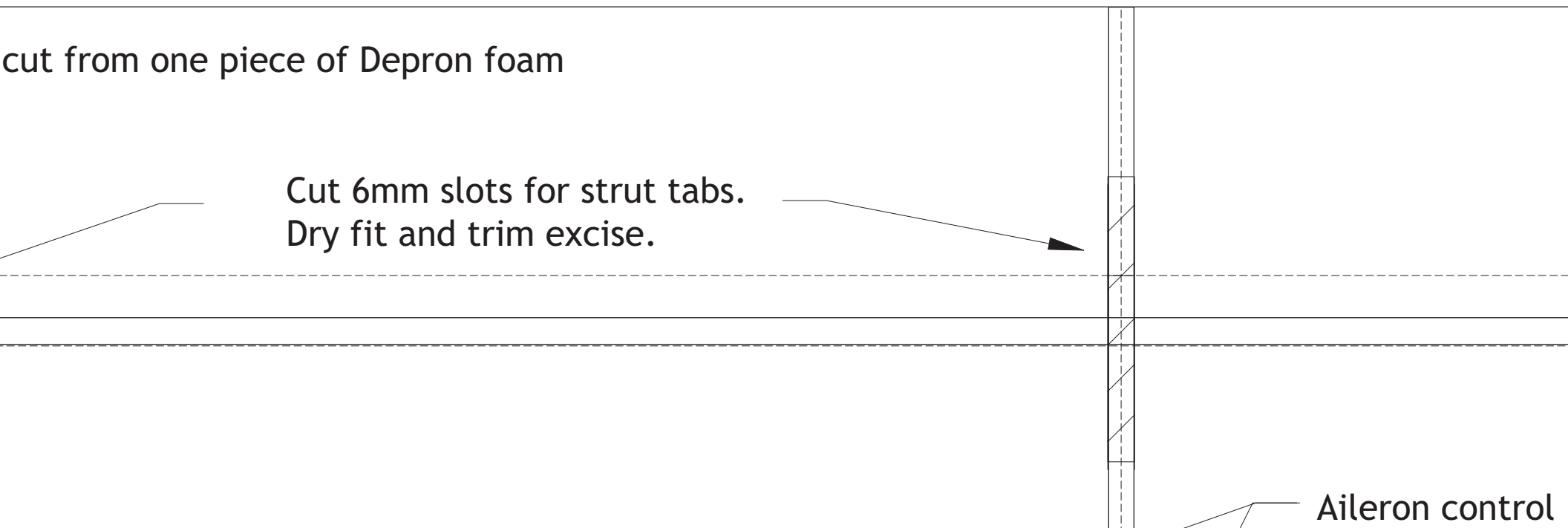
a
back



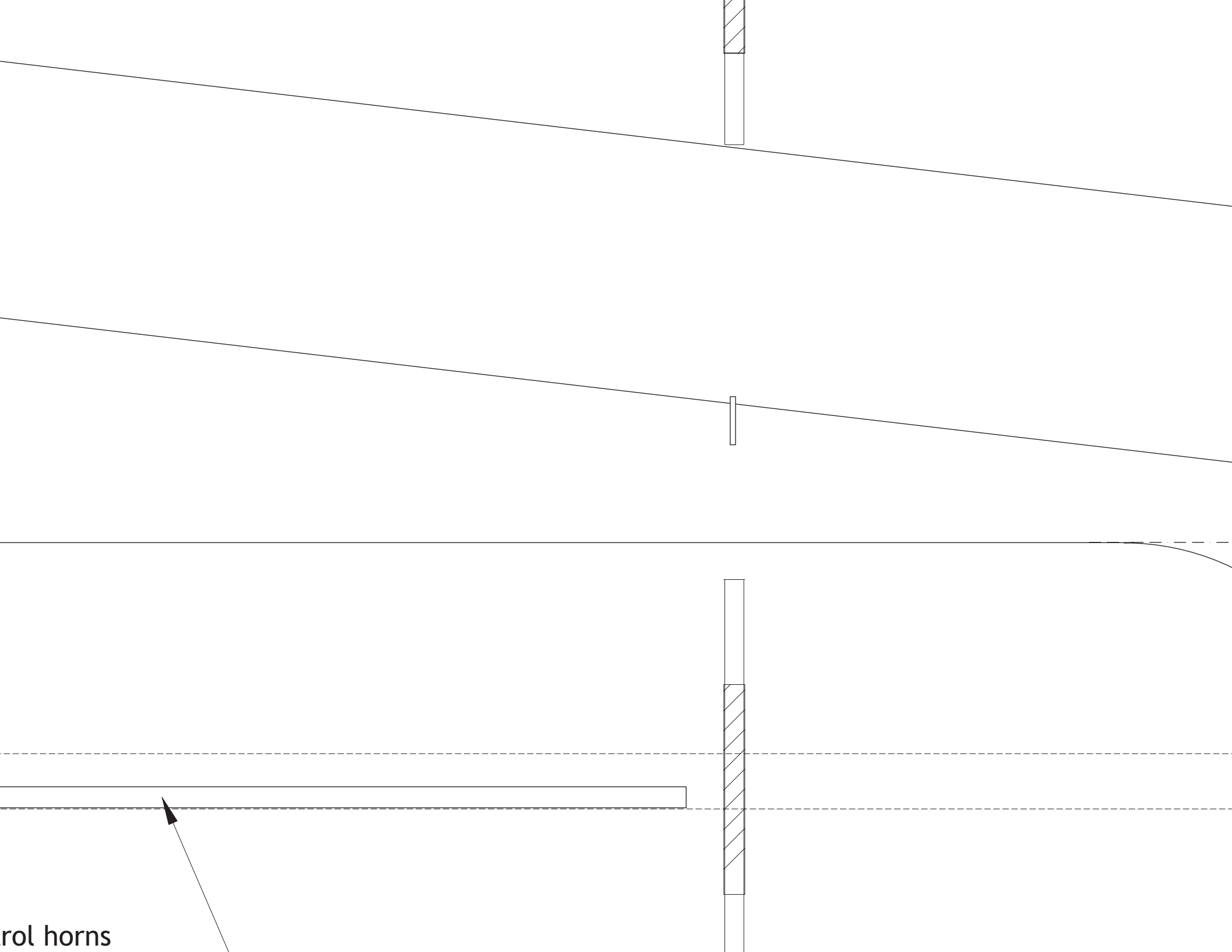
Cut dotted line for optional Ultimate Pitts

cut from one piece of Depron foam

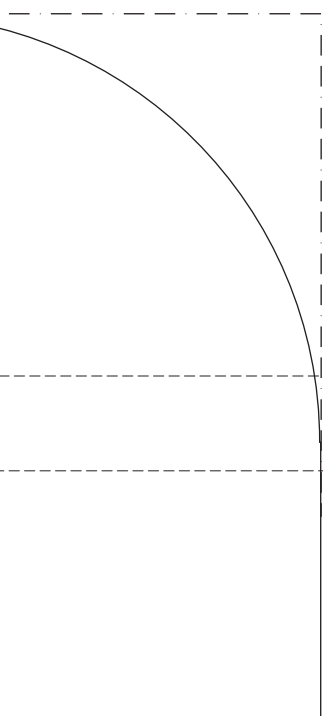
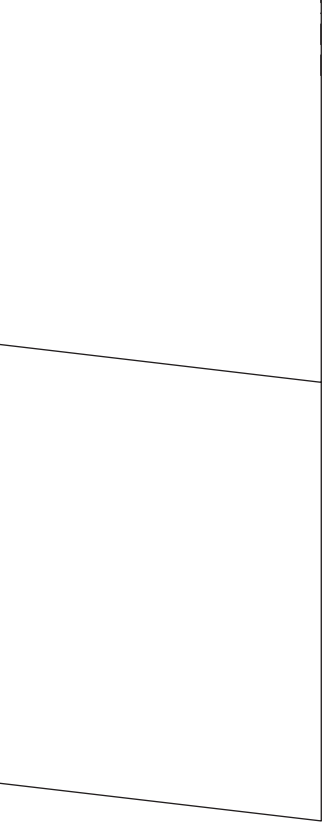
Cut 6mm slots for strut tabs.
Dry fit and trim excise.



Aileron control



control horns



PITTS PARK FLYER SPECS

Wing Span..... 30"

Lenth..... 30"

Weight.....11-13oz

Power.....GWS EPS350

Max 3D Power... Brushless m
to GWS EPS

Prop..... GWS 11x4 -

Ch..... 4

Battery..... 3 Cell-700 t

3D
Batix.

TIPS:



CS

PROVEN SYSTEM RECOMMENDATIONS

MATERIALS LIST

Z
PS350C
ess motor fit
S EPS350C gearbox
x4 -- 12x4

700 to 1200mAh-Li-Poly


tix.com

Rx and Servos

- * GWS R-4PII 4ch receiver
- * 3 Waypoint W-084 Micro Servos
or Hitec HS 55

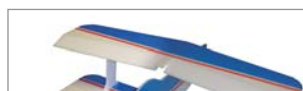
Brushed Motor *(Good performance)*

- * GWS EPS350C "DS" Gearing Motor
- * GWS ICS-300 Speed Controller
- * Prop GWS 12x6 Slow Flyer
- * 3 Cell-800-1200mAh-11.1v Li-Poly Battery

Brushless Motor

- * AXI 2212/34 outrunner *(Max performance)*
- * Phoenix 25amp speed controller
- * 3 Cell 700-1200mAh-11.1v Li-Poly Battery
- * GWS 12x6 Slow Flyer or APC 12x3.8 electric
OR...
- * HiMaxx 4100 or 5400 *(Max performance)*
w/GWS 350C "DS" gearbox
- * Phoenix 25amp speed controller
- * 3 Cell 700-1200mAh-11.1v Li-Poly Battery
- * GWS 12x6 Slow Flyer

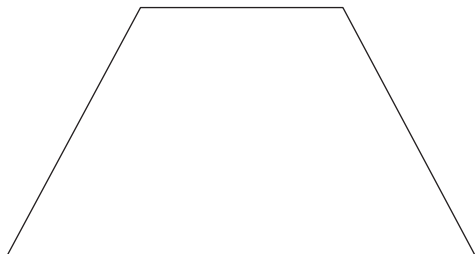
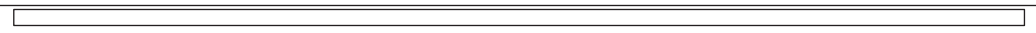
- * Depron 6mm White (www.depronusa.com)
- * 30" 4mm wrapped carbon fiber tube
- * Medium or Thick foam friendly CA
- * Foam friendly CA accelerator
- * JZ Products Super RC "Z" 56 glue
- * 1" Self-sticking Hook & Loop (Velcro) tape
- * 1/2" 3M nylon strapping tape
- * Clear packing tape
- * 4 Du-Bro Micro Control Horns No. 848
- * 4 Du-Bro Micro E/Z Links No. 849
- * 1" wide self-sticking hook & Loop (Velcro)
- * .032 wire control arms
- * 1/2" Nylon Filament Strapping (3M brand)
- * Zagi tape for trim scheme (optional)
- * Straight edge razorblades
- * No. 11 Xacto knife
- * Metal yardstick
- * 3M Photomount Spray Adhesive
(for plan transfer to Depron)



Aileron control



Groove and glue in 4mm wrapped c



rol horns

Note: Wing can be strengthened with 1/2" nylon filament strapping tape (3M brand) or 4mm carbon fiber tube (bottom wing only). To save weight cut width of strapping tape down to 2/8 and apply to bottoms of both wings. If using carbon fiber tube cut a channel (per plan) on the bottom of the bottom wing only and CA or use RC Z 56.

Alternative AXI Brushless Motor setup

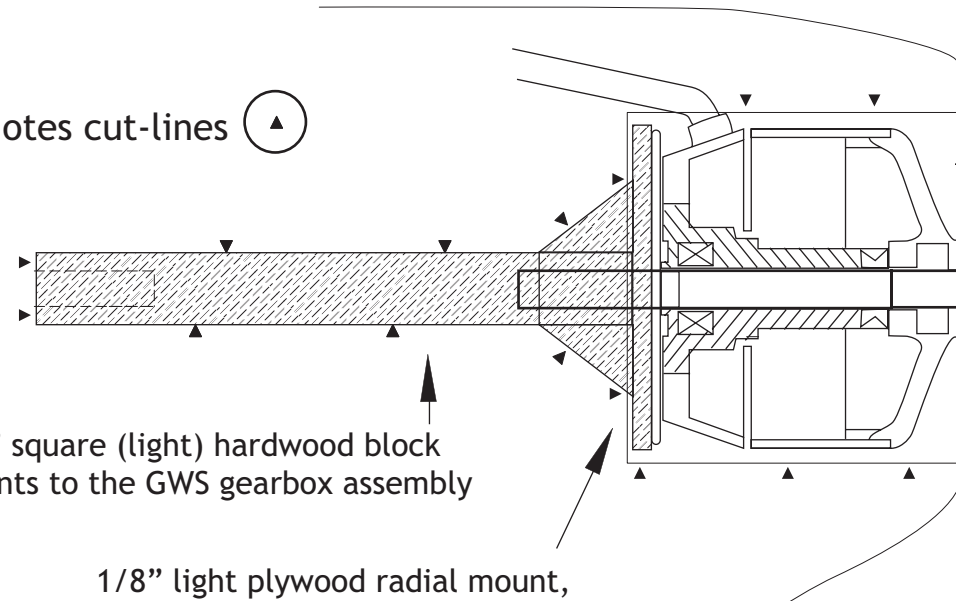
AXI 2208/34 External R

Denotes cut-lines (▲)

3/8" square (light) hardwood block mounts to the GWS gearbox assembly

1/8" light plywood radial mount,

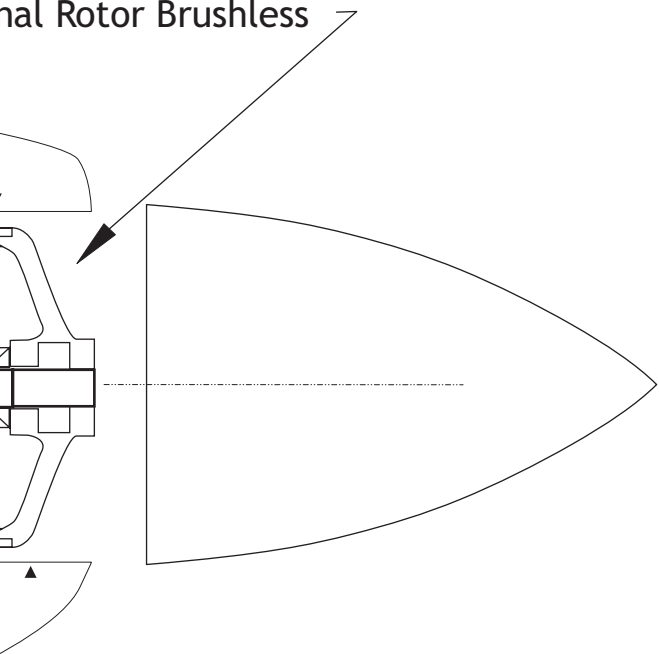
ed carbon tube





D

nal Rotor Brushless



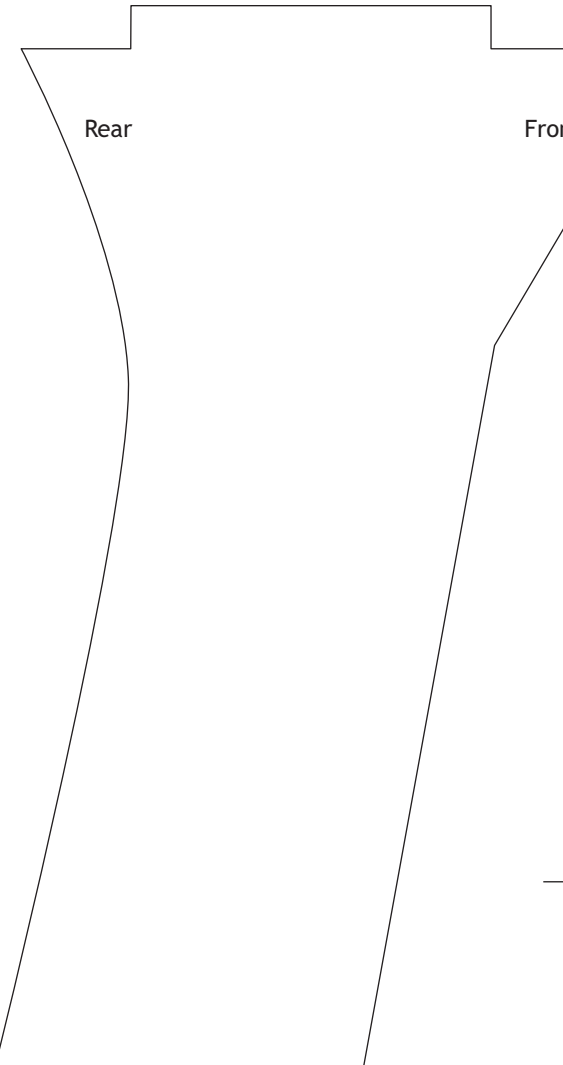


Lighty coat back of plan parts with Spray Adhesive, apply each part to Depron. Carefully cut each out using a strightedge and #11 Xacto.



Dry fit assembly
Round the leading edge
Apply trim sheet to the assembly.

© Copyright 2004 3Dbatix.com. All rights reserved.





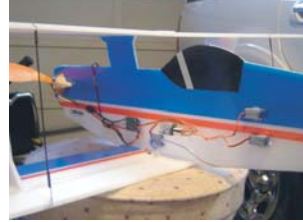
fit assembly--check alignment.
 and the leading edges by sanding.
 y trim scheme before final
 mbly.



A Rotary Tool Cutting Adapter is perfect for clean, easy to make, grooves for Fiber Carbon rod stiffeners. Glue stiffeners in with RC Z 56 or medium/thick CA.



Assemble using RC Z 56 or medium or thick CA. Colored Zagi tape works great for trim. It's best to trim each part before assembly.



Wrap servos in removable tape, use low temp hot-glue or thick CA to secure. Mount Speed Controller and Rx with double sided sticky foam.

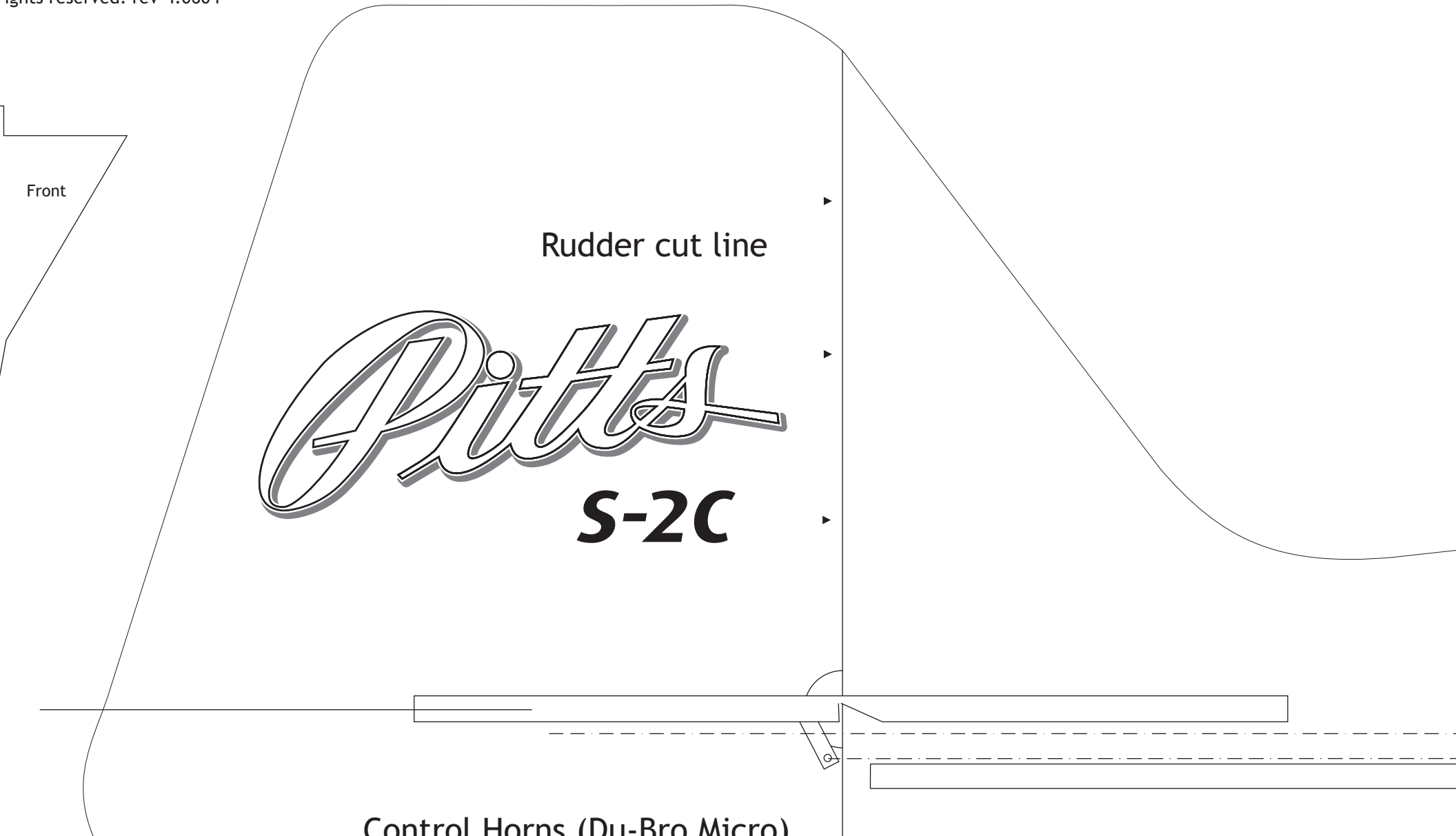


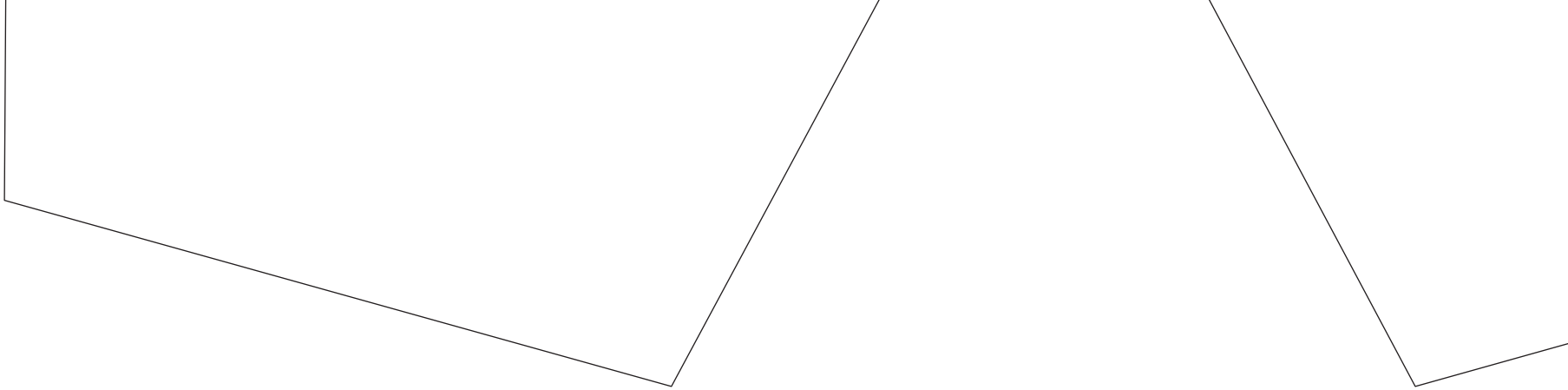
The Pitts is a hoovering machine!



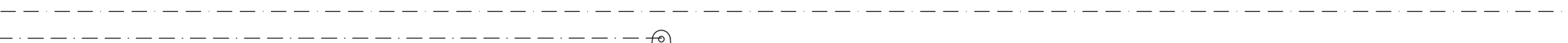
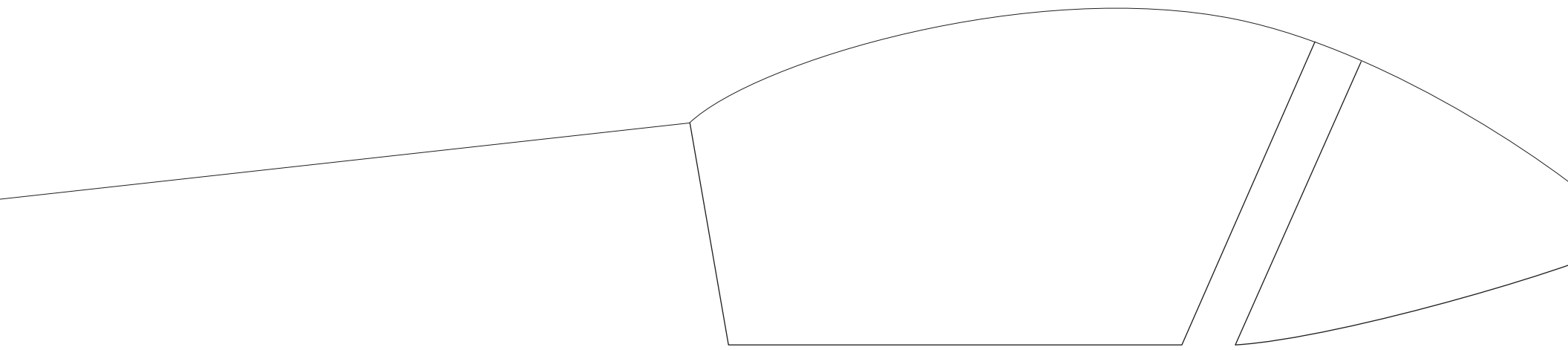
Add lots of expo and experiment with different CGs.

rights reserved. rev-4.0604

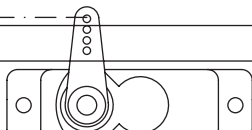




Tab is extended
trimming du



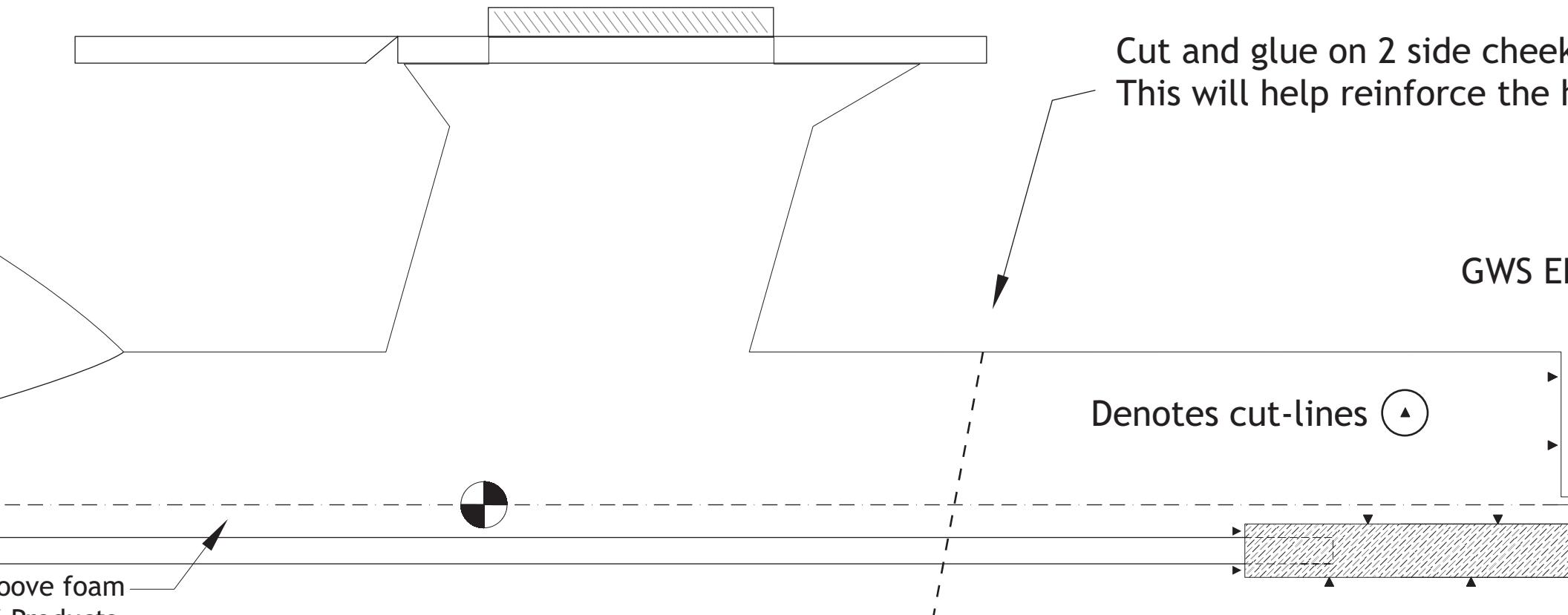
Elevator Servo



4mm wrapped carbon tube fuselage stiffener. Groove
and also with ender frog (foam friendly) CA on 17 Dec

1/8" light plywood radial mount,
reinforced with balsa triangle stock
on all 4 sides

extended to allow for flush
fitting during dry fitting of wing.



Cut and glue on 2 side cheeks
This will help reinforce the h

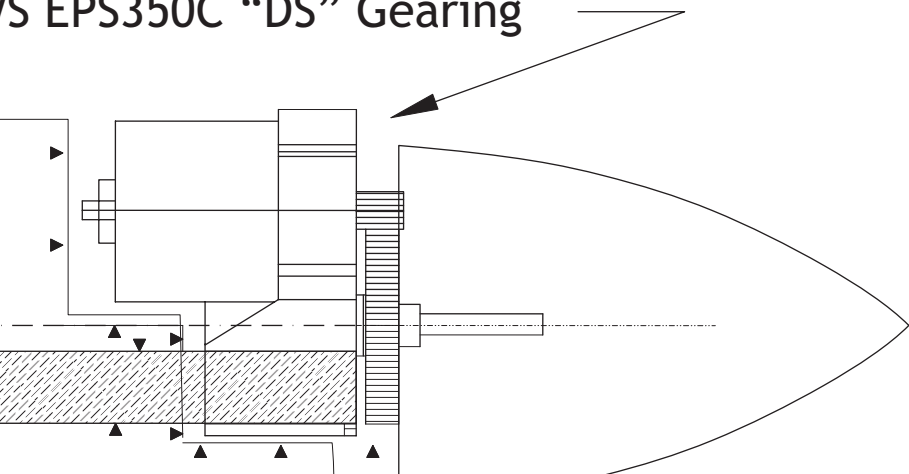
GWS E

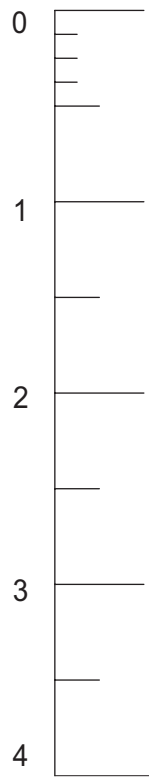
Denotes cut-lines (▲)

Remove foam

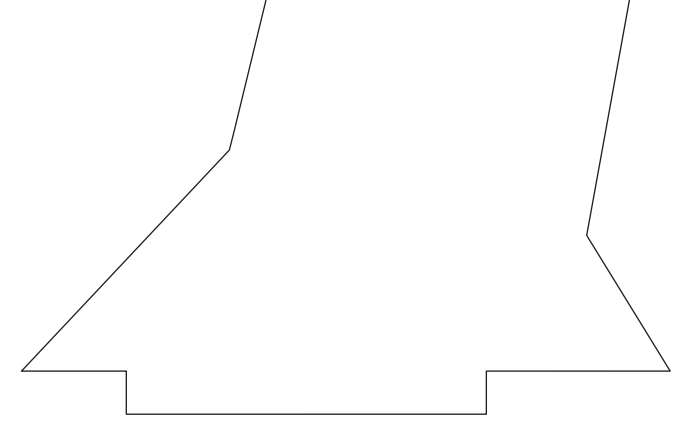
Weeks from scrap Depron from this line forward.
the hardwood block.

YS EPS350C "DS" Gearing





Inch Scale reference,
check after printing.



Control Horns (Du-Bro Micro)

.032 Wire Pushrod

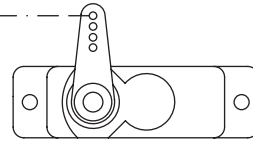
Note: Tail and rudder servos
Locate and mount servos
with all components exposed
movement fore and aft
ent flight characteristics

Elevator Servo



4mm wrapped carbon tube fuselage stiffener. Groove and glue with order-free (foam freindly) CA or JZ Pro Super RC Z 56

d



Rudder Servo

Aileron Servo

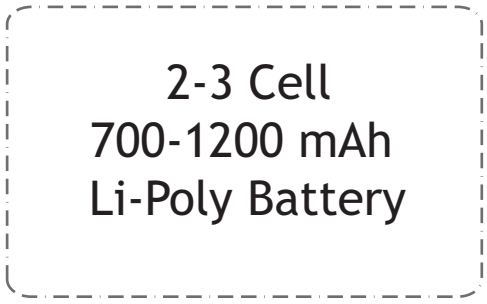
er servos placement is approximate.
servos so the plane balances on the CG
s except battery. This allows for battery
l aft to fine tune CG and allow for differ-
istics.

Bot

All airframe parts and control surfaces are cut from 6mm Deporn Foam

foam
Products

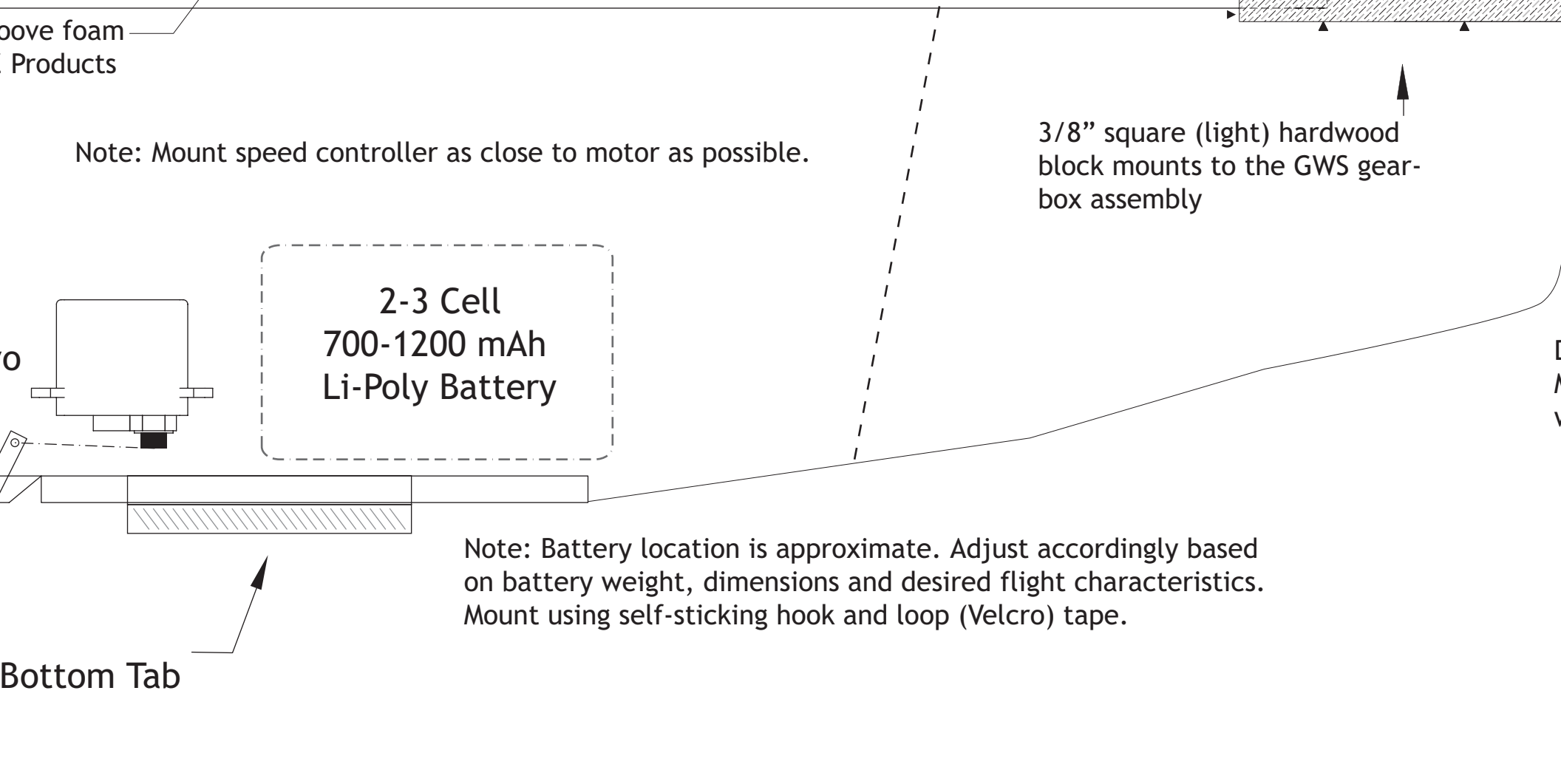
Note: Mount speed controller as close to motor as possible.

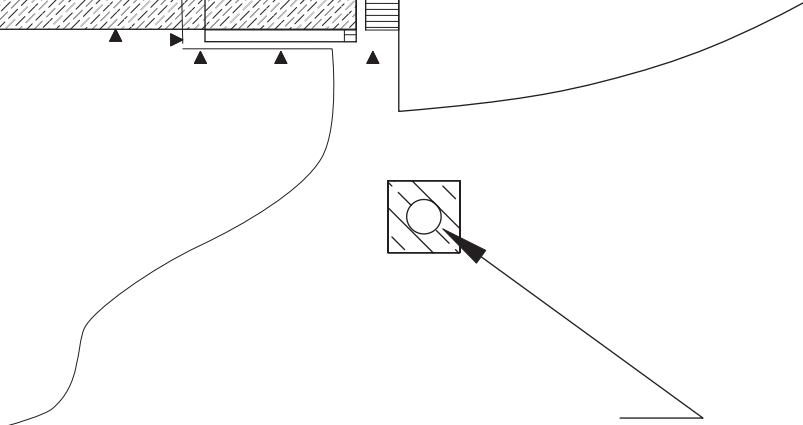


3/8" square (light) hardwood
block mounts to the GWS gear-
box assembly

Note: Battery location is approximate. Adjust accordingly based
on battery weight, dimensions and desired flight characteristics.
Mount using self-sticking hook and loop (Velcro) tape.

Bottom Tab





Drill 3/16 (4mm) hole in back end of hardwood block. Make sure hole is slightly big to allow for adjustment while fitting and gluing. Use epoxy for this step.