

FOAMe II-3D PA

Wing Span.....
Lenth.....
Weight.....
Power.....
Prop.....
Ch.....
Battery.....

PROVEN SYSTEM

Rx and Servos
* GWS R-6NII 5ch rec
* 4 Waypoint W-084
Brushed Motor (Good p
* GWS EPS350C "DS"
* GWS ICS-300 Speed
* Prop GWS 12x6 Slo
* 3 Cell-800-1200mA
Brushless Motor
* AXI 2028/34 outrun
* Phoenix 25amp spe

3D PARK FLYER SPECS

..... 30.5"
..... 33"
..... 11-13oz
..... AXI 2212/34 brushless outrunner
..... GWS 11x4 -- 12x4
..... 5
..... 3 Cell-700 to 1200mAh-Li-Poly

SYSTEM RECOMMENDATIONS

..... receiver or Hitec Electron 6 FM
..... /-084 Micro Servos or Hitec HS 55
(Good performance)
..... "DS" Gearing Motor
..... Speed Controller
..... x6 Slow Flyer
..... 00mAh-11.1v Li-Poly Battery
..... r
..... outrunner (Max performance)
..... mp speed controller

BUILDING TIPS



Lightly coat back of plan parts with Spray Adhesive, apply each part to Depron. Carefully cut each out using a straightedge and #11 Xacto.



Dry fit assembly--check alignment. Round the leading edges by sanding. Apply trim scheme before final assembly.



A Rotary Tool Cutting Adapter is perfect for clean, easy to make, grooves for Fiber Carbon rod stiffeners. Glue stiffeners in with RC Z 56 or medium/thick CA.



Assemble using RC Z 56 or medium or thick CA. Colored Zagi tape works great for trim. It's best to trim each part before assembly.

FOAMe II 3D Park Flyer Designed by

Bottom wing cut from one piece of 6mm Depron foam

Cut 6mm slots for strut tabs.
Dry fit and trim excise.



Aileron servos
Use Dubro Mini
E/Z Conneters
for easy adjustments.
Mount using 3M
Double Coated
Industrial Foam Tape

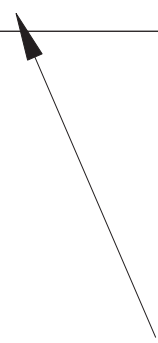
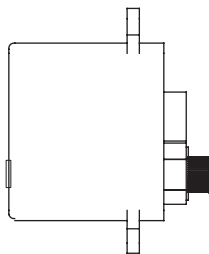
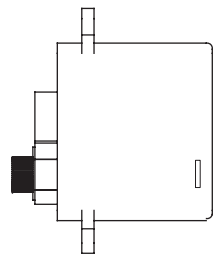
by Steven Gibson

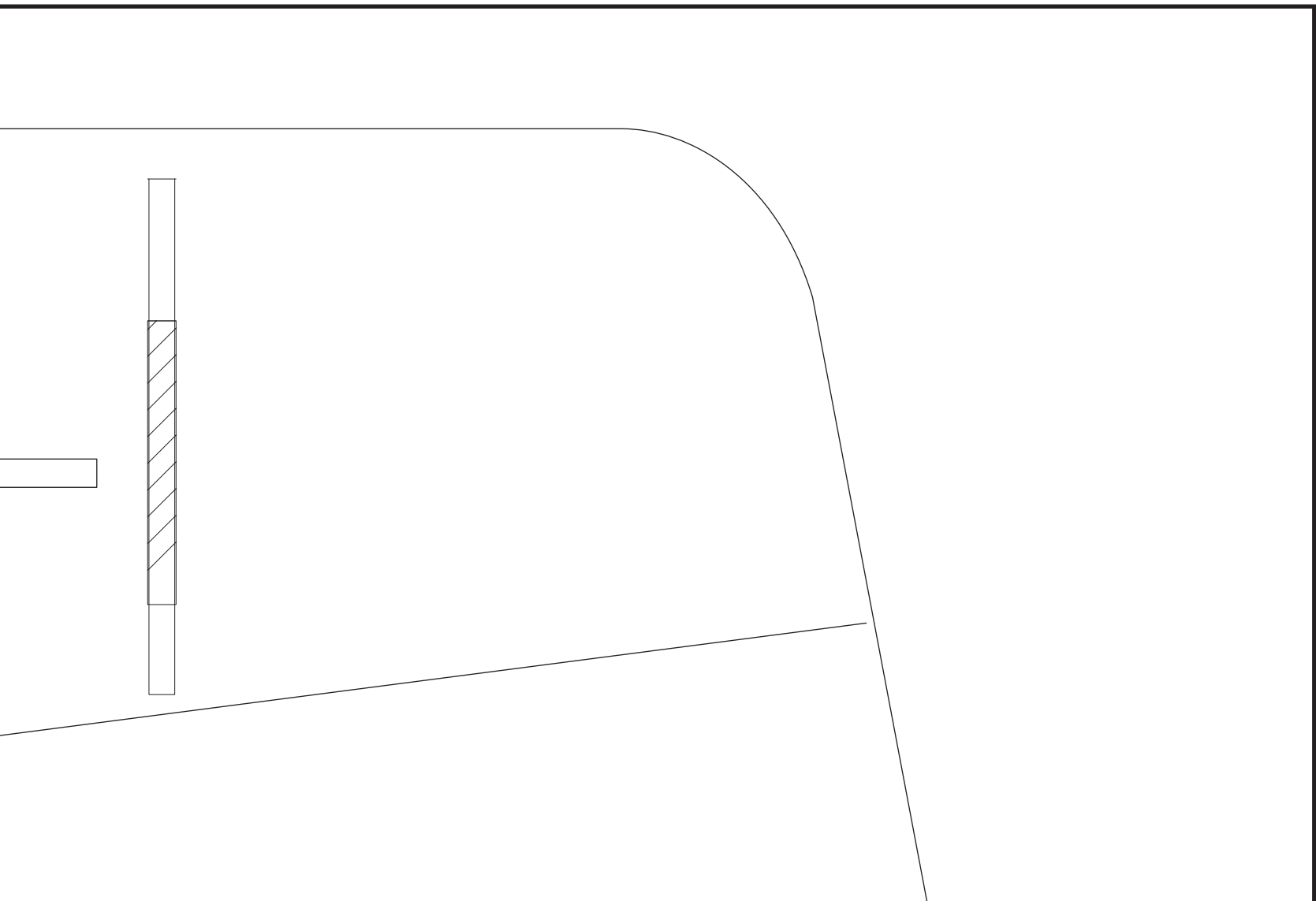
Strengthened with 4mm carbon fiber tube (bottom wing only). Cut a channel (per plan) on the bottom of the bottom wing only and CA or use RC Z 56.

rvos.

ments.

n Tape





- * AXI 2028/34 outrun
- * Phoenix 25amp spe
- * 3 Cell 700-1200mA
- * GWS 12x6 slow flye
- OR...
- * HiMaxx 5100 or 5400
- w/GWS 350C "DS"
- * Phoenix 25amp spe
- * 3 Cell 700-1200mA
- * APC 12x3.8 electri

MATERIALS LIST

- * Depron 6mm White
- * 30" 4mm & 2mm w
- * .040 Solid Carbon F
- or...optional 3mm
- * .080 Solid Carbon F
- * Medium or Thick fo
- * Foam friendly CA a
- * JZ Products Super
- * 1" Self-sticking Ho
- (Velcro-Industrial S
- * Clear packing tape
- * 4-E-flite Micro Con
- OR...4 Du-Bro Micr
- * 4 Du-Bro Micro E/Z
- * .032 wire control a
- * Du-Bro RC Electric
- * Zagi tape for trim
- * Straight edge razor
- * No. 11 Xacto knife
- * Metal yardstick
- * 3M Photomount Sp
- (for plan transfer to Depron)

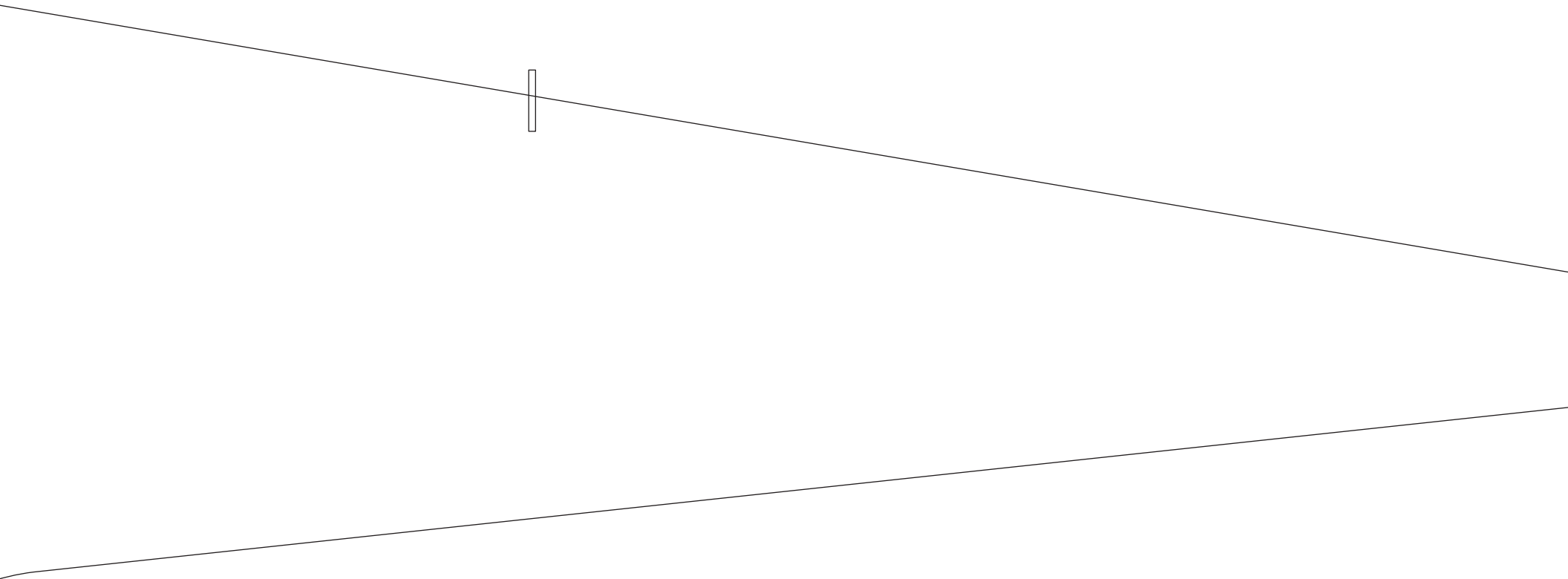
Outrunner (Max performance)
mp speed controller
00mAh-11.1v Li-Poly Battery
w flyer (modified hub)

or 5400 (Max performance)
"DS" gearbox
mp speed controller
00mAh-11.1v Li-Poly Battery
lectric slow flyer

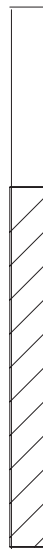
LIST

White (www.depronusa.com)
mm wrapped carbon fiber tube
arbon Rod (push rods + stab support)
3mm flat carbon rod tab support
arbon Rod (landing gear support)
thick foam friendly CA
y CA accelerator
uper RC "Z" 56 glue
ng Hook & Loop
trial Strength) tape
j tape
o Control Horns No. EFLA200
o Micro Control Horns No. 848
o E/Z Links No. 849
ontrol arms
lectric Flyer Hinge Tape (3M Blenderm)
trim scheme (optional)
razor-blades
knife
ck
nt Spray Adhesive
epiron)

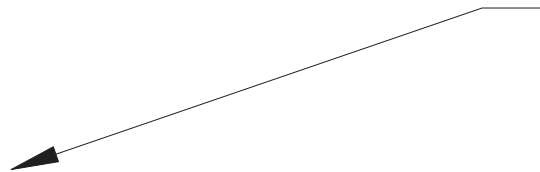


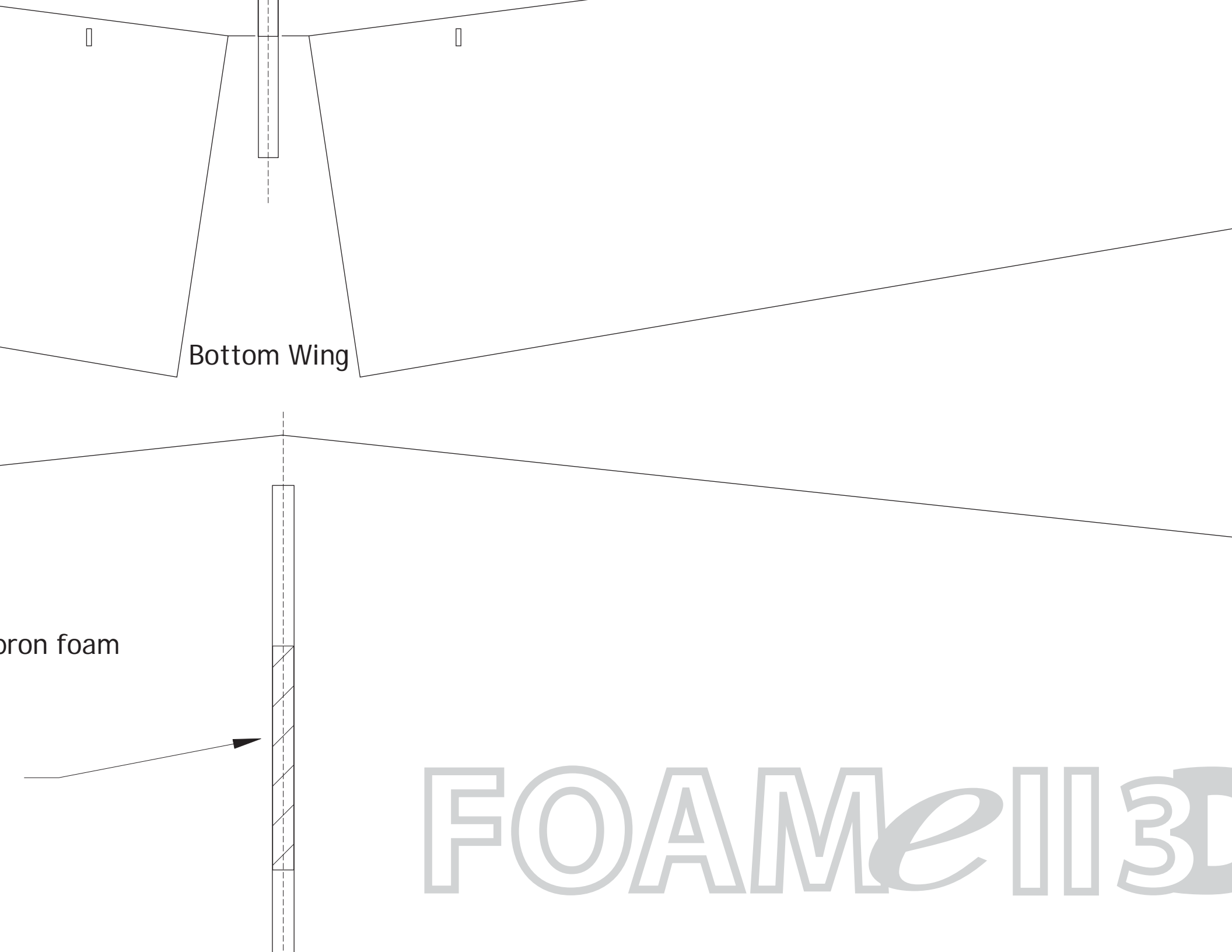


TOP wing cut from one piece of 6mm Depron



Cut 6mm slots for strut tabs.
Dry fit and trim excise.

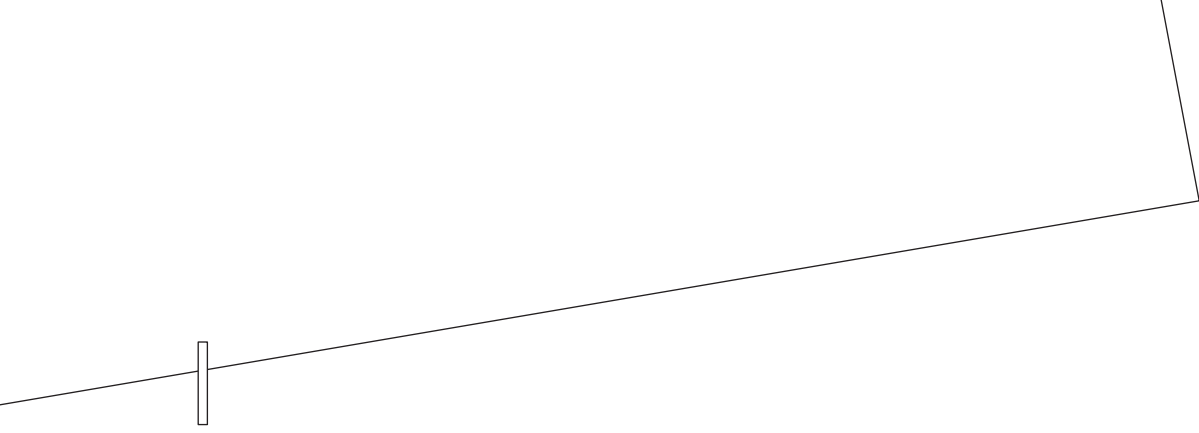




Bottom Wing

Carbon foam

FOAMe II 3D



Control

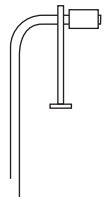
.032 v



Top wing

Cut micro servo arm — or Zip-Tie control horn

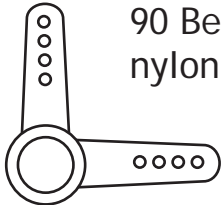
Aileron Servo



U
O
S
fr
ar
co

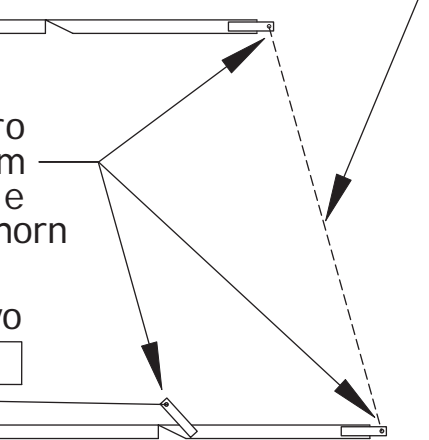


Fabrica
from sp
control
90 Bello
nylon Z



Control Horn Detail

032 wire control rods



Control horn

0

0

Use Du-Bro Micro E/Z Links
OR
Strip plastic cover
from small gauge wire
and CA to ends of
control rods

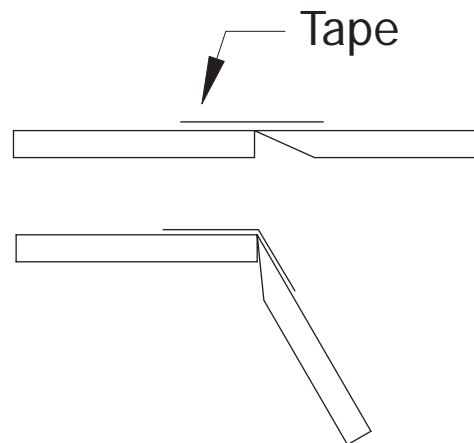


Lubricate control horns
from spare micro servo
control arms, Dubro Micro
Bellcranks (No. 851) or
on Zip-Ties.

oo

Hinge Detail

Best results are achieved by using 1" wide Du-Bro RC Electric Flyer Hinge Tape (3M Blenderm) for all hinges. Clean all parts with rubbing alcohol before applying.



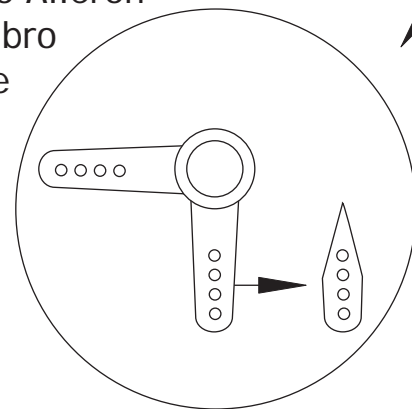
Tape

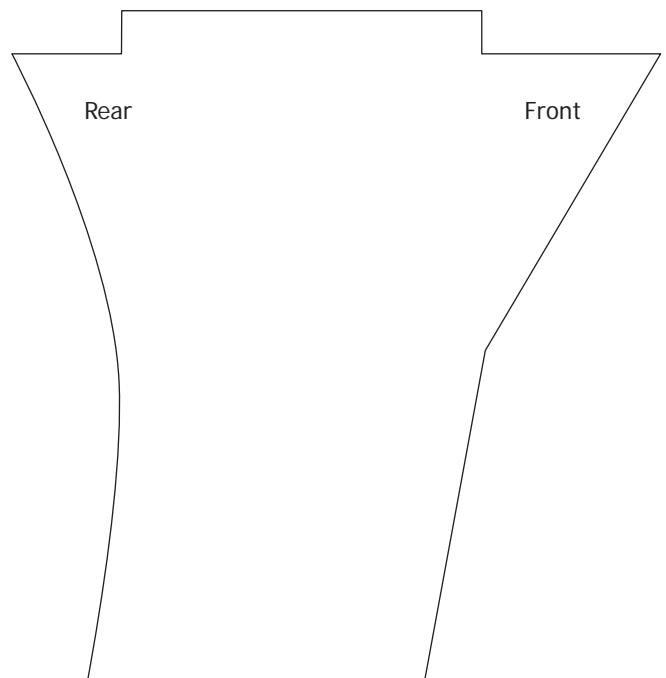
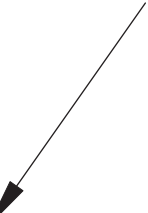
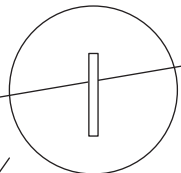
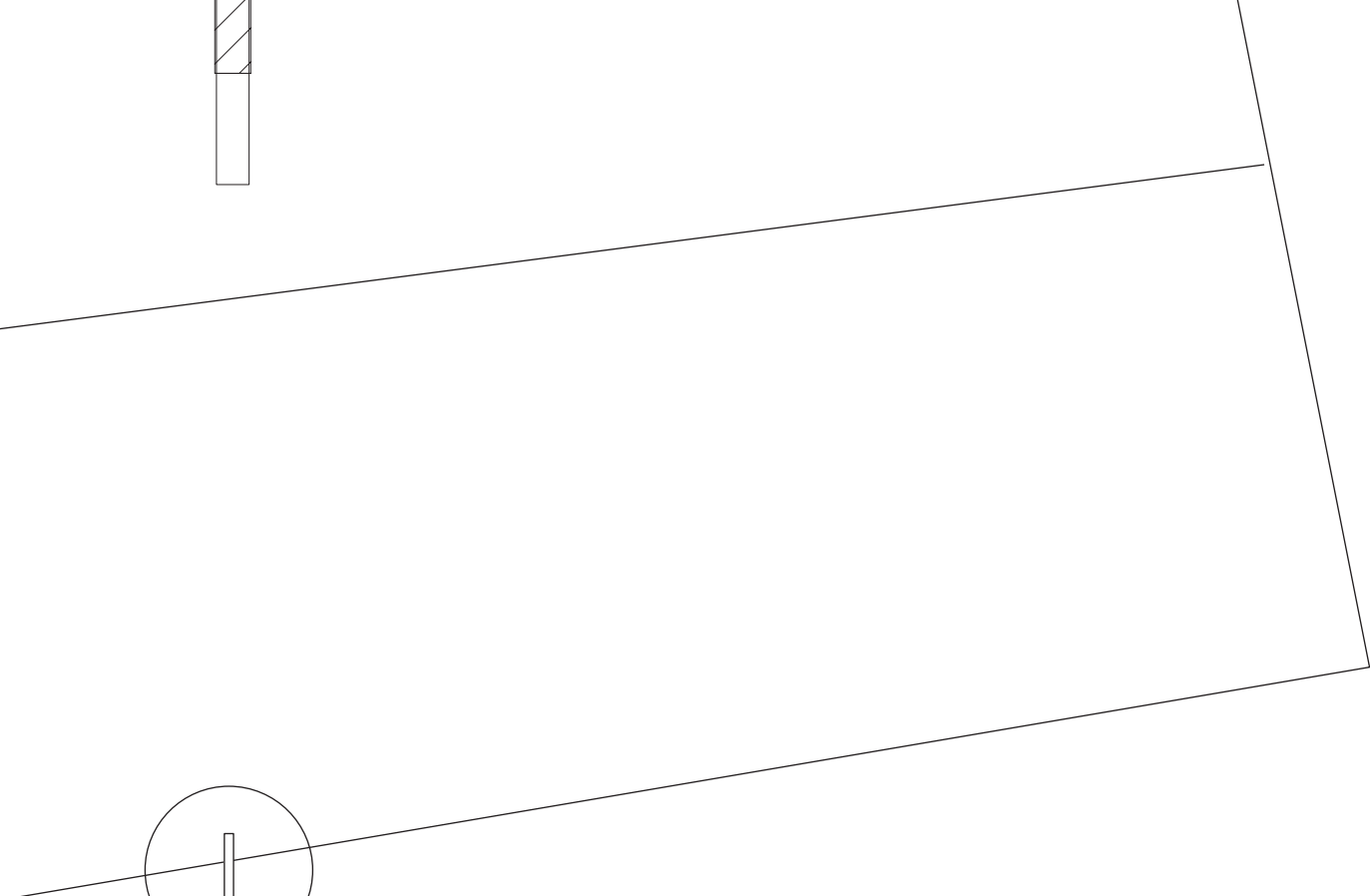
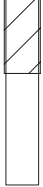
Aileron to aileron control horns. Cut a slot for horn dry fit, remove and CA back in place. See aileron detail diagram.



Top Wing

Tip: Fabricate Aileron to Aileron control horns out of Dubro Micro 90 Bellcranks. Use medium CA to secure.

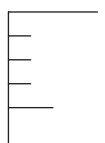




Rear

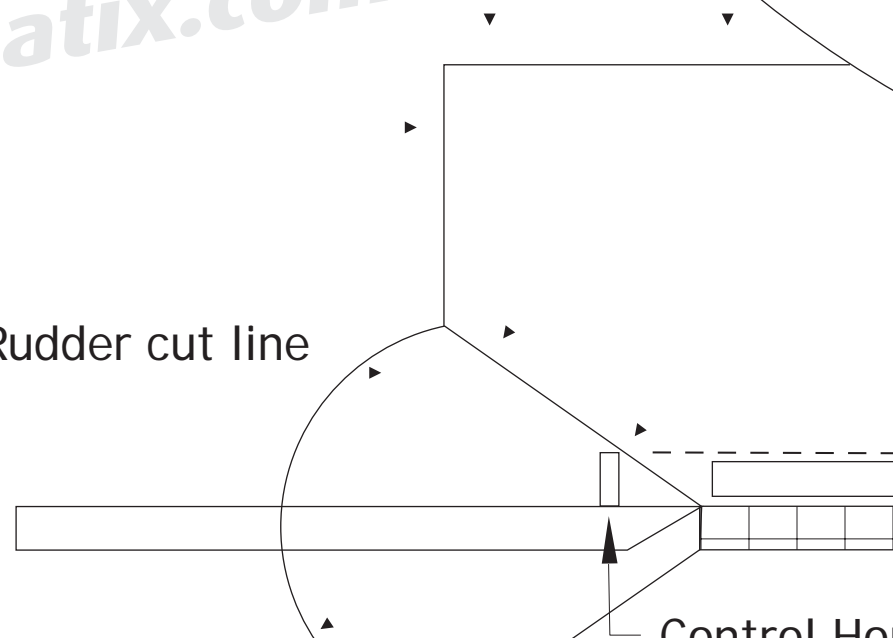
Front

0

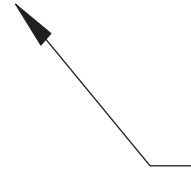
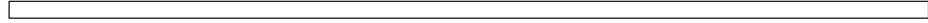


3D
Batix.com

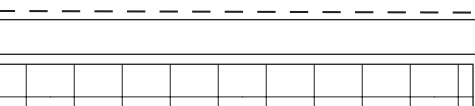
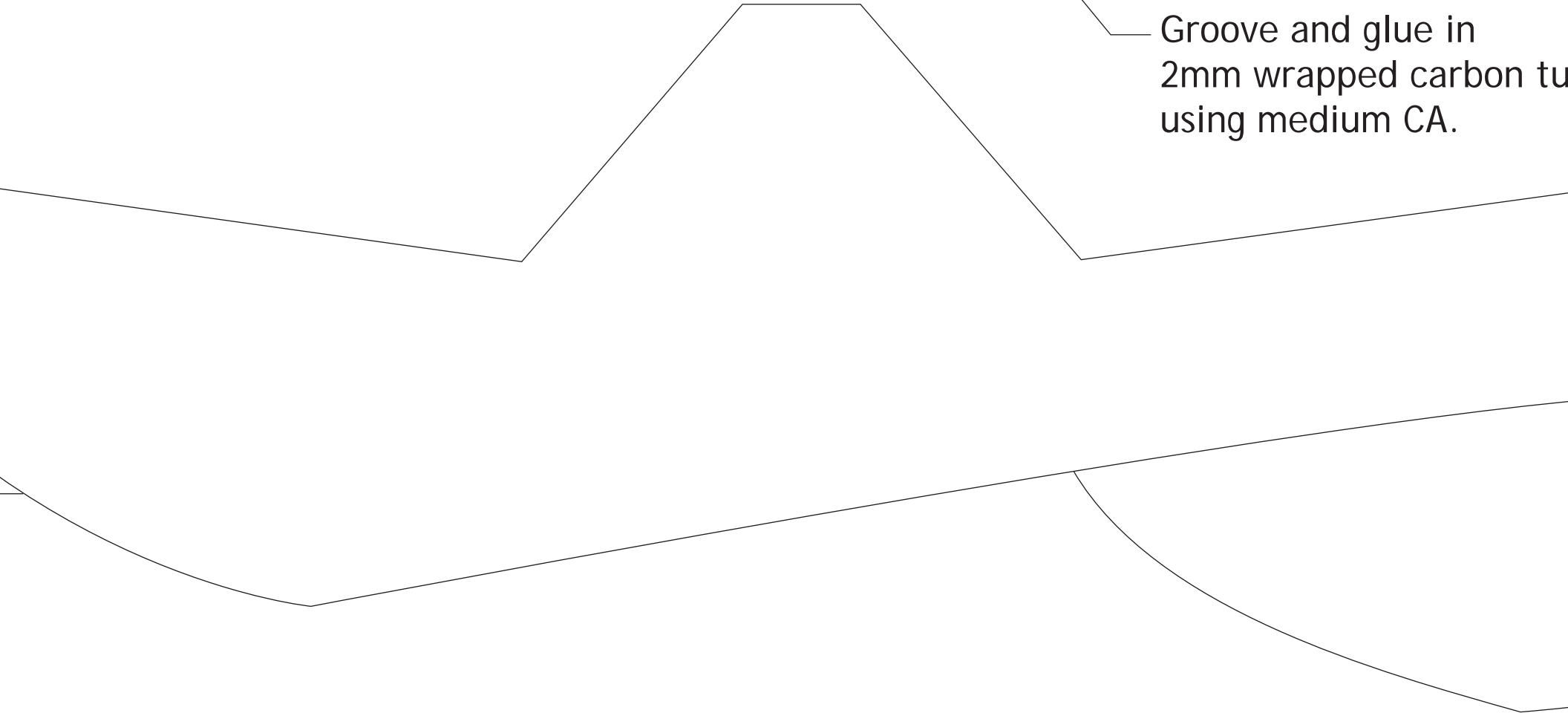
Rudder cut line



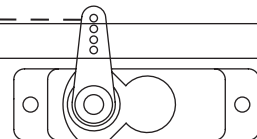
Control Ho



Groove and glue in
2mm wrapped carbon tu
using medium CA.



Elevator Servo

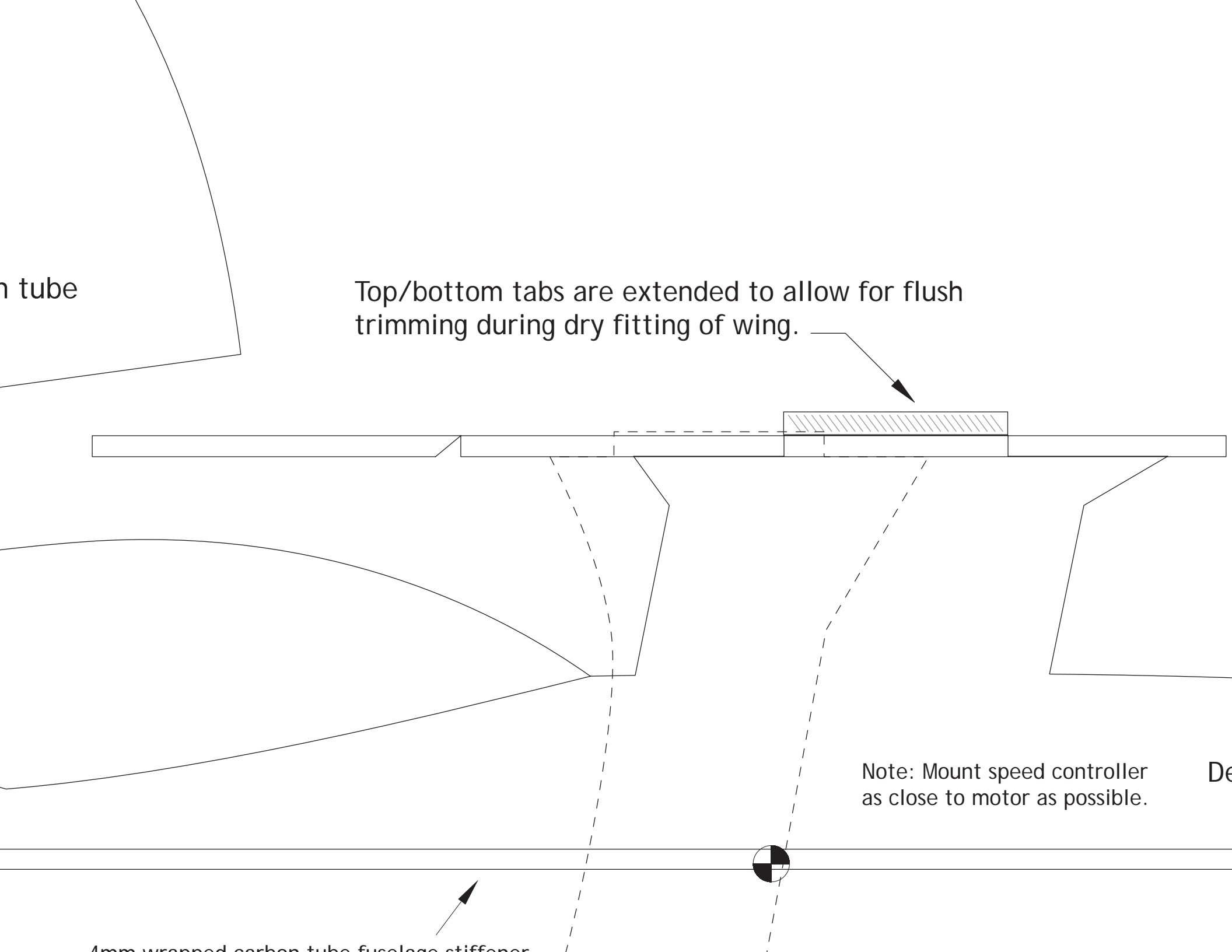


Horns



n tube

Top/bottom tabs are extended to allow for flush trimming during dry fitting of wing.



4mm wrapped carbon tube fuselage stiffener

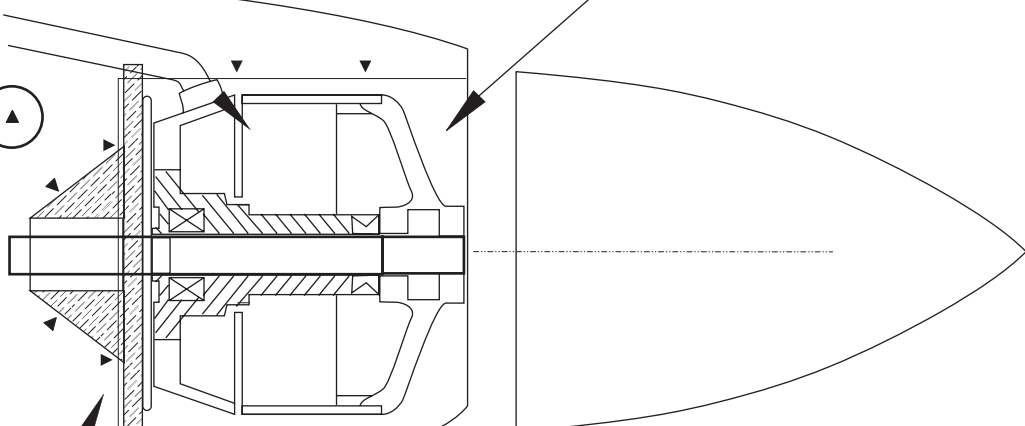
Note: Mount speed controller as close to motor as possible.

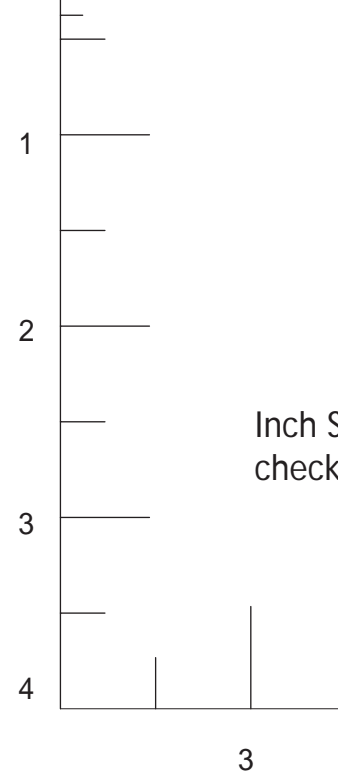
De



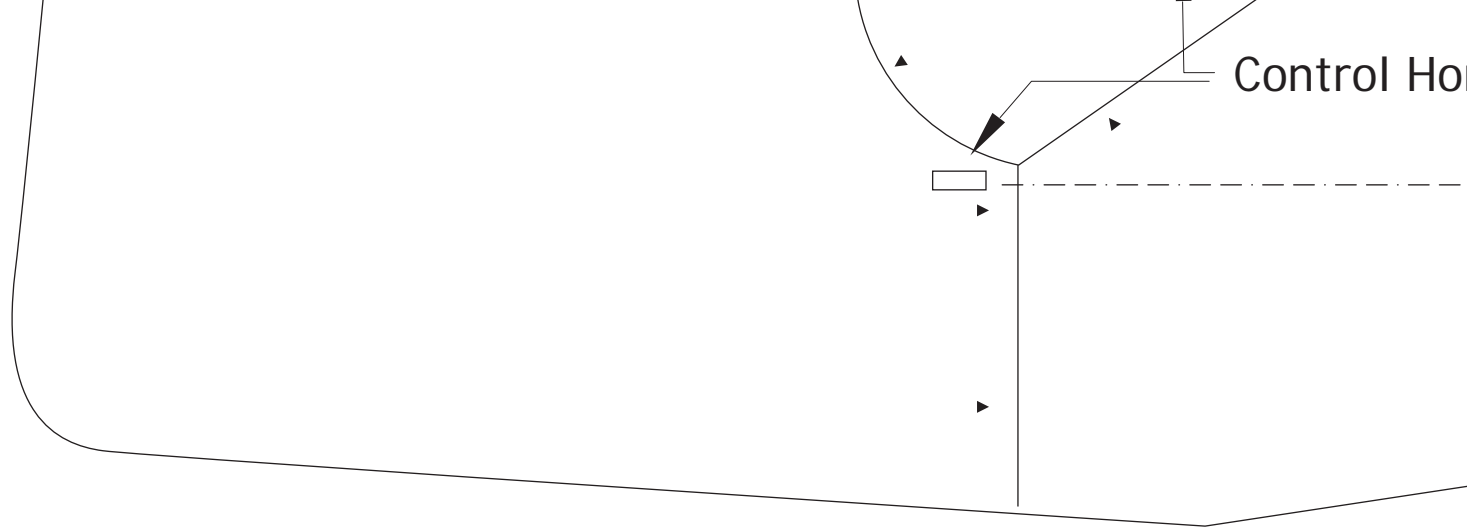
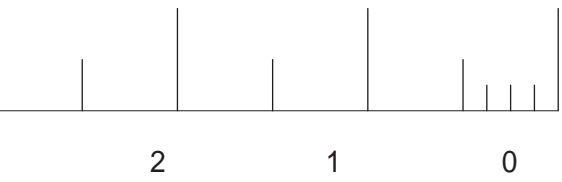
AXI 2208/34 External Rotor Brushless

Denotes cut-lines (▲)



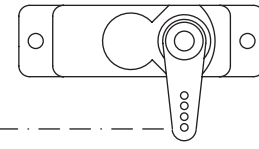


inch Scale reference,
check after printing.



Horns

.032 Wire Pushrod



Rudder Servo

Note: Tail and rudder servos placement is approximate. Locate and mount servos so the plane balances on the CG with all components except battery. This allows for battery movement fore and aft to fine tune CG and allow for different flight characteristics.

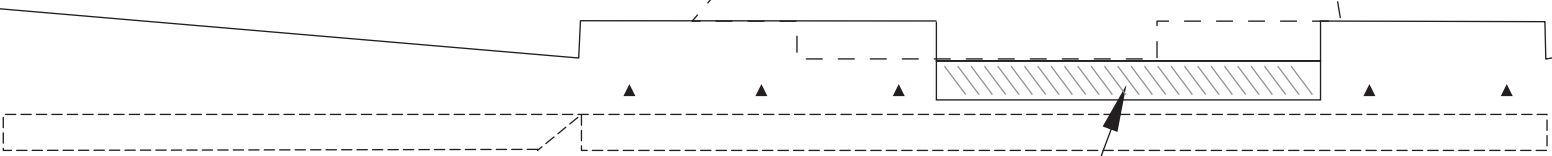
All airframe parts and control surfaces are cut from 6mm

VO

4mm wrapped carbon tube fuselage stiffener.
Groove foam and glue with order-free (foam friendly) CA or JZ Products Super RC Z 56

1/8" lig
reinfor
on all 4

2-3 Cell
700-1200 mAh
Li-Poly Battery



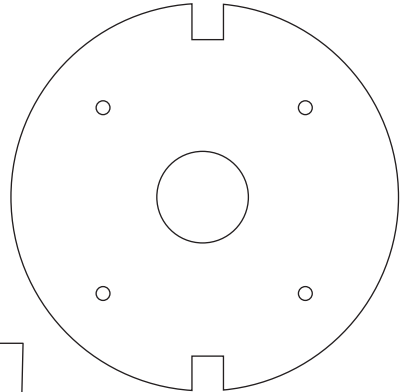
Note: Battery location is app
on battery weight, dimension
Mount using self-sticking hook

Bottom Tab

Bottom Wing

mm Deporn Foam

1/8" light plywood radial mount,
reinforced with Depron triangle stock
on all 4 sides



Notch 1/8 lite plywood AXI
motor mount 6mm at
top/bottom.

approximate. Adjust accordingly based
on dimensions and desired flight characteristics.
Use hook and loop (Velcro) tape.

